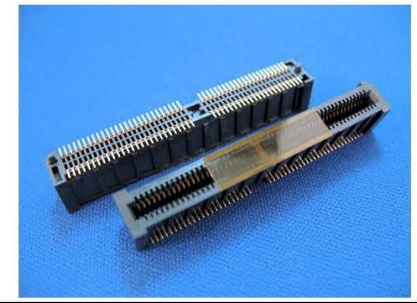
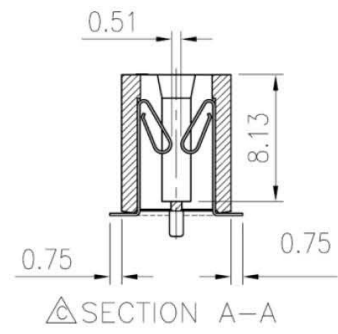
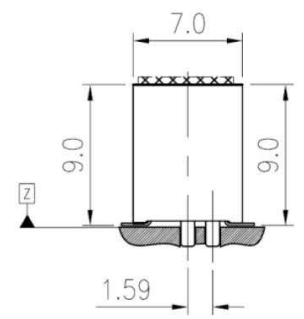
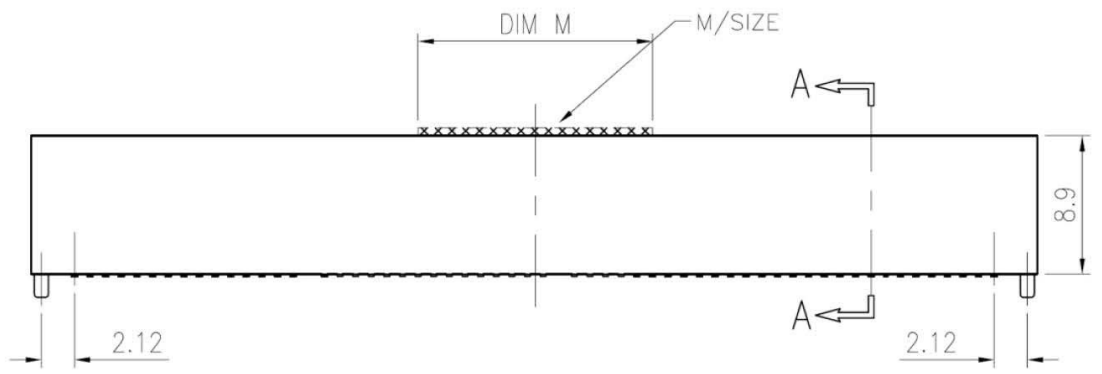


- NOTES:
1. MATERIALS:
HOUSING IS HIGH TEMPERATURE PLASTIC
TERMINAL IS PHOSPHOR BRONZE
 2. UNDER PLATING: NICKEL 1.27 um MIN. OVER ALL
 3. FINISH: SEE ORDER INFORMATION
 4. COPLANARITY IS 0.1mm MAX. BASE ON DATUM Z
 5. TRUE POSITION IS 0.1mm MAX. BASE ON DATUM X

P/N	POS.	DIM A	DIM B	DIM C	DIM D	DIM E	DIM F	DIM G	DIM H	M/size	DIM M	POSITION POLARIZED
E10-VPC-010	10	7.00	4.00	1.00	N/A	N/A	N/A	N/A	9.54	W3T12	3.00	3,4
E10-VPC-016	16	10.00	7.00	2.00	N/A	1.00	N/A	N/A	12.54	W3T12	3.00	5,6
E10-VPC-040	40	22.00	19.00	7.00	N/A	6.00	N/A	N/A	24.54	W6T12	6.00	15,16
E10-VPC-060	60	32.00	29.00	10.00	N/A	9.00	N/A	N/A	34.54	WAT12	10	21,22
E10-VPC-080	80	42.00	39.00	15.00	N/A	14.00	N/A	N/A	44.54	WAT12	10	31,32
E10-VPC-100	100	52.00	49.00	20.00	N/A	19.00	N/A	N/A	54.54	WAT12	10	41,42
E10-VPC-120	120	62.00	59.00	15.00	31.00	14.00	14.00	27.00	64.54	WFT12	15	31,32,63,64
E10-VPC-140	140	72.00	69.00	26.00	57.00	25.00	29.00	11.00	74.54	W6T12	40	53,54,115,116

E10-VPC-xxx-LF
LEADFREE
RoHS Compliant



Allconnectors

www.allconnectors.de
Tel.: 0049 711 7009503
70794 Filderstadt - Germany

info@allconnectors.de
Fax: 0049 711 7009504
Kettnerstr. 25

PART NO. E10-VPC-xxx

DWG NO. E10-VPC-xxx

FILE NO.

UNIT / mm

CHECKED BY CY

DRAWING BY

PROJECTION

SCALE 1:1

TOLERANCES ARE

- X ±
- .X ±
- .XX ±
- .XXX ±
- ANG

DESCRIPTION:

AREA

REVISIONS

DATE